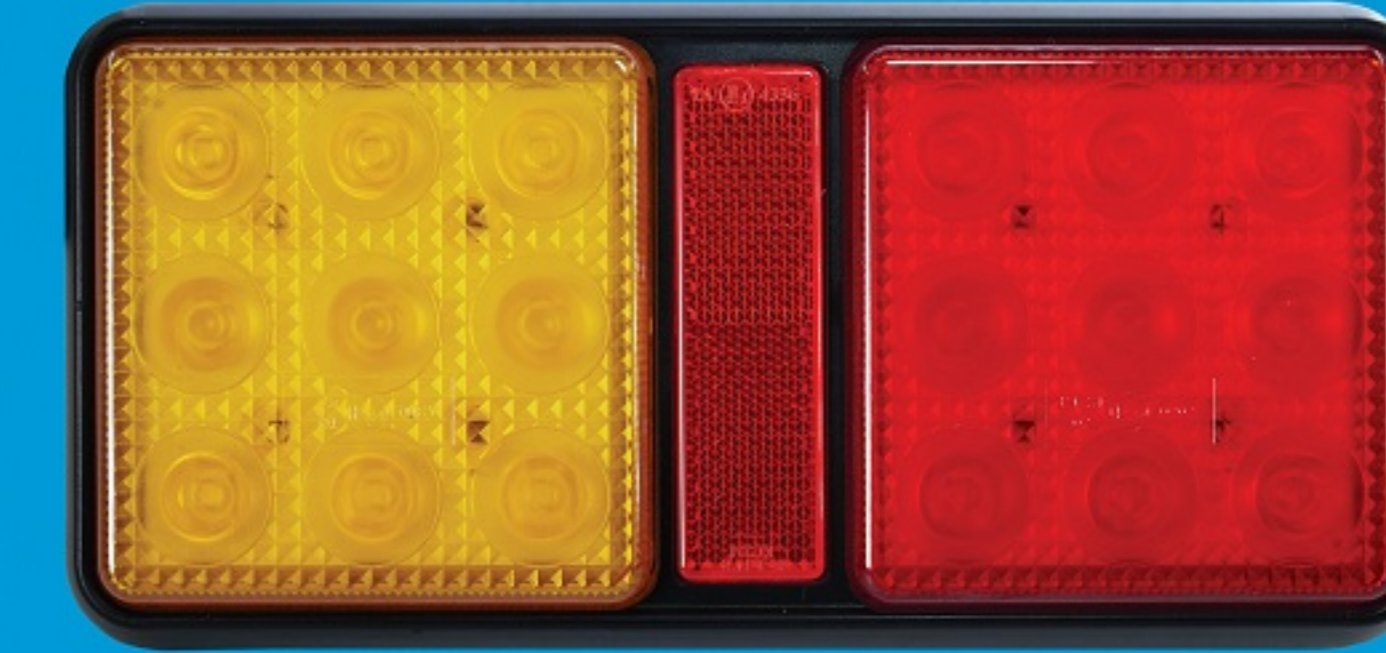


**Brightkold**

Shininess the Future



上海善宇实业有限公司
Shanghai shininess Industrial Co., Ltd

Tel: +86-21-58545653
Fax: +86-21-58545652
E-mail: info@brightkold.com
Website: www.brightkold.com



LED Tail Light

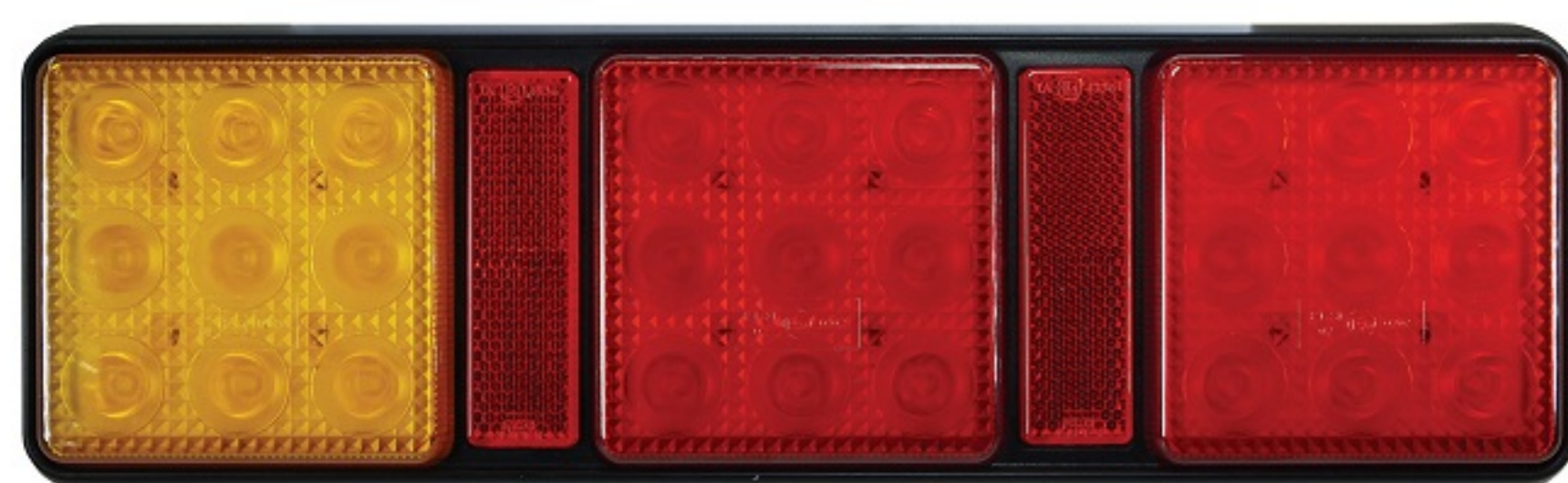
Shanghai shininess Industrial Co., Ltd

www.brightkold.com



Model: KW-281ARW

- Voltage: 12-28VDC
- LED Type: 27pcs SMDs
- LED Color: 9Amber + 9Red + 9White
- With reflector
- Function: Stop / Tail / Indicator / Reverse Lamp
- Package: Double Blister Card
- QTY/CTN: 20pcs



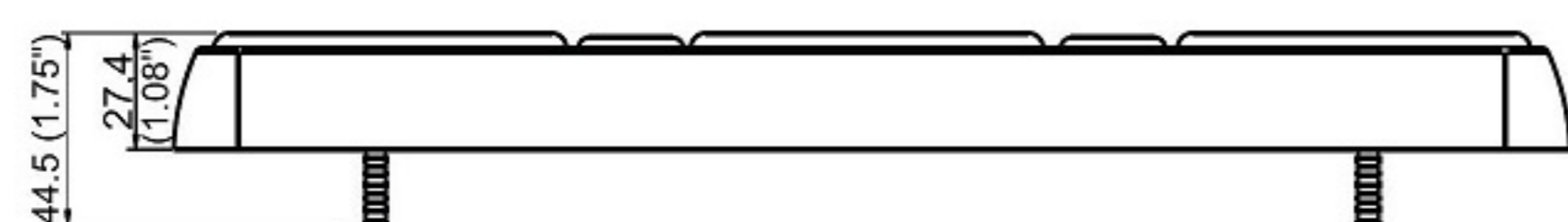
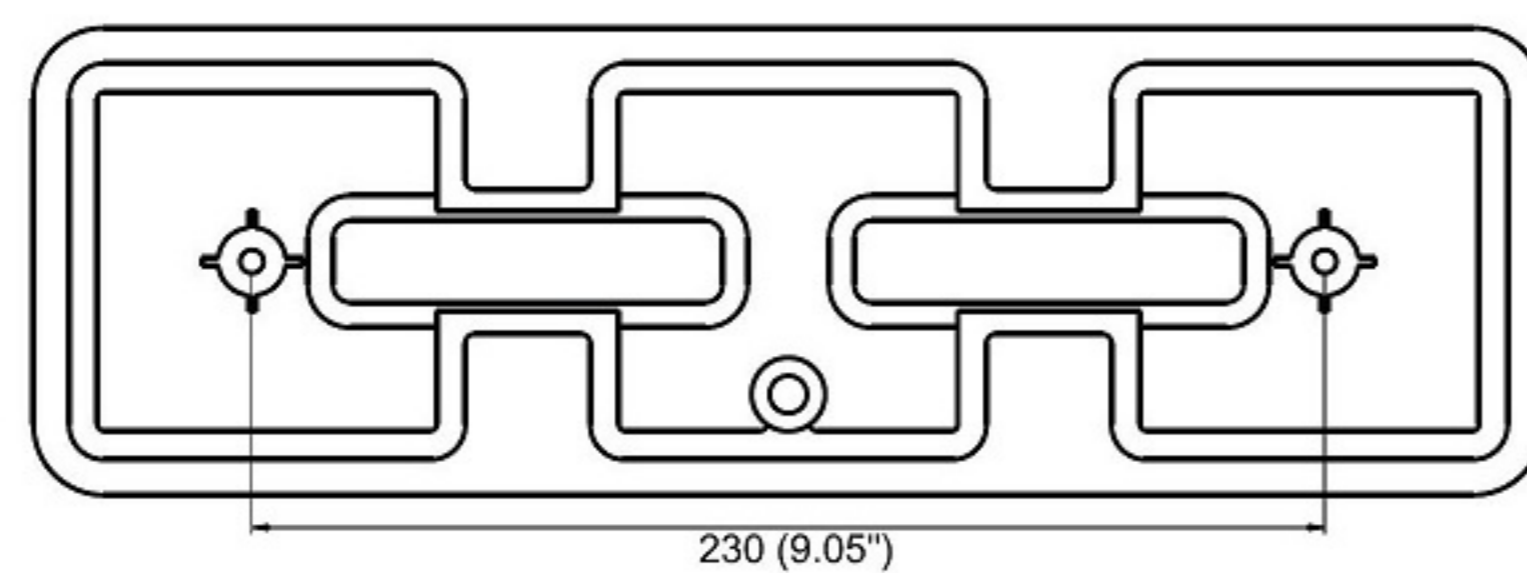
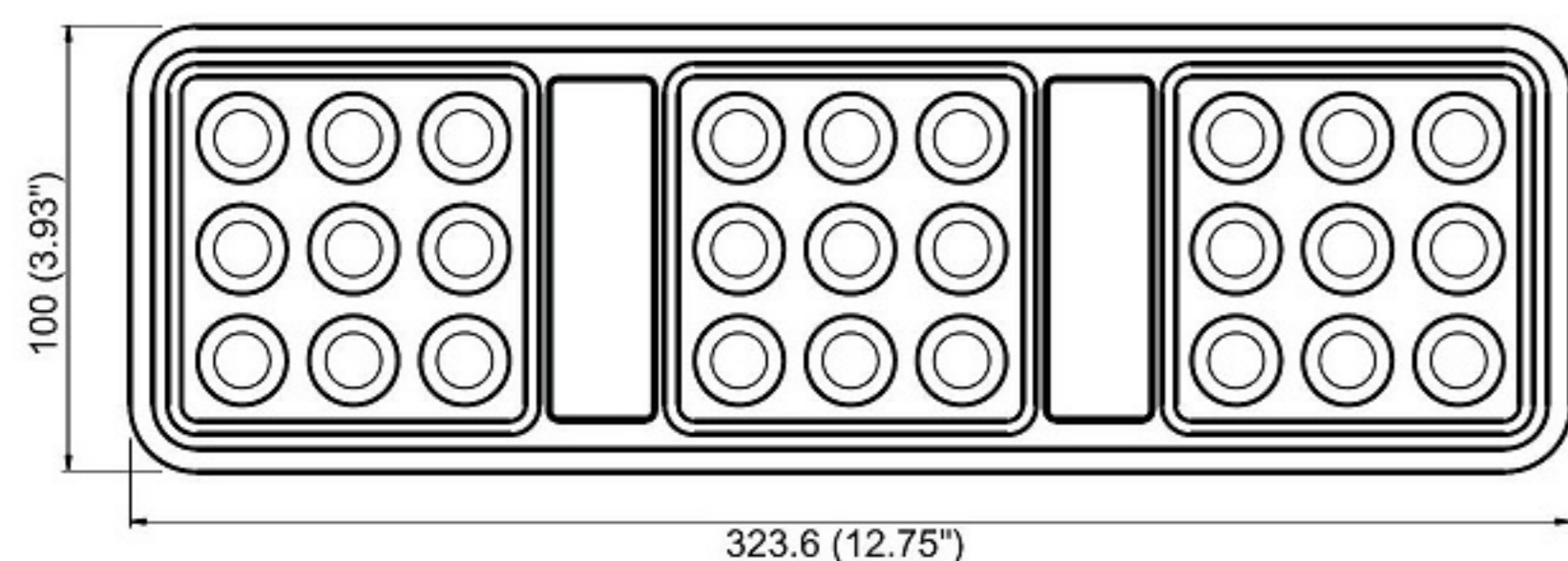
Model: KW-281ARR

- Voltage: 12-28VDC
- LED Type: 27pcs SMDs
- LED Color: 9Amber + 9Red + 9Red
- With reflector
- Function: Stop / Tail / Indicator Lamp
- Package: Double Blister Card
- QTY/CTN: 20pcs



Model: KW-281RRW

- Voltage: 12-28VDC
- LED Type: 27pcs SMDs
- LED Color: 9Red + 9Red + 9White
- With reflector
- Function: Stop / Tail / Reverse Lamp
- Package: Double Blister Card
- QTY/CTN: 20pcs



Model: KW-280AR

- Voltage: 12-28VDC
- LED Type: 18pcs SMDs
- LED Color: 9Amber + 9Red
- With reflector
- Function: Stop / Tail / Indicator Lamp
- Package: Double Blister Card
- QTY/CTN: 20pcs



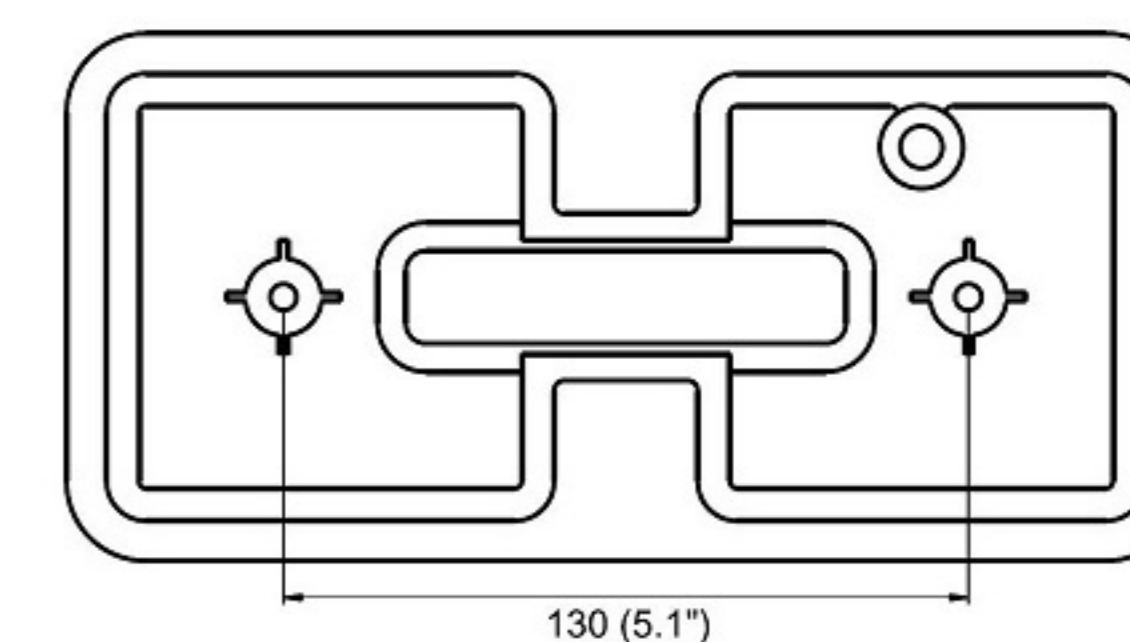
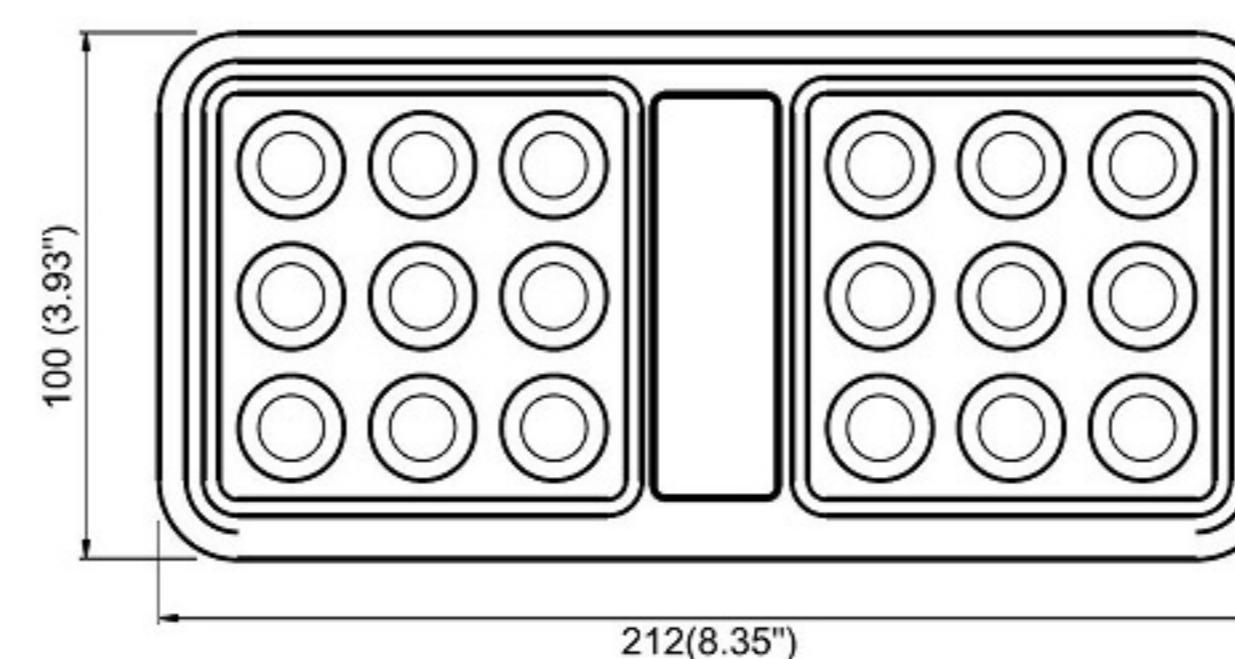
Model: KW-280RW

- Voltage: 12-28VDC
- LED Type: 18pcs SMDs
- LED Color: 9Red + 9White
- With reflector
- Function: Stop / Tail / Reverse Lamp
- Package: Double Blister Card
- QTY/CTN: 20pcs



Model: KW-280AW

- Voltage: 12-28VDC
- LED Type: 18pcs SMDs
- Color: 9Amber + 9White
- With reflector
- Function: Reverse / Indicator Lamp
- Package: Double blister
- QTY/CTN: 20pcs





Model: KW-277ARW

- Voltage: 12-28VDC
- LED Type: 27pcs SMDs
- LED Color: 9Amber + 9Red + 9White
- Function: Stop / Tail / Indicator / Reverse Lamp
- Package: Double Blister Card
- QTY/CTN: 20pcs
- G.W: 11.5kg
- Carton size: 52*37*28cm



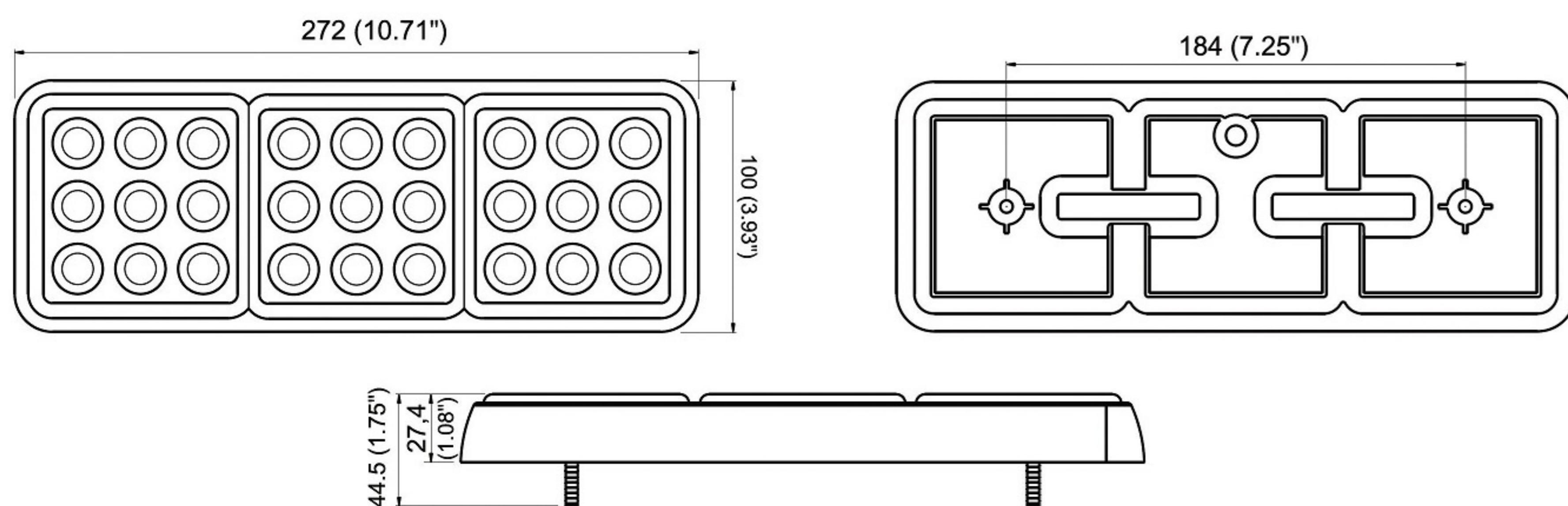
Model: KW-277ARR

- Voltage: 12-28VDC
- LED Type: 27pcs SMDs
- LED Color: 9Amber + 9Red + 9Red
- Function: Stop / Tail / Indicator Lamp
- Package: Double Blister Card
- QTY/CTN: 20pcs
- G.W: 11.5kg
- Carton size: 52*37*28cm



Model: KW-277RRW

- Voltage: 12-28VDC
- LED Type: 27pcs SMDs
- LED Color: 9Red + 9Red + 9White
- Function: Stop / Tail / Reverse Lamp
- Package: Double Blister Card
- QTY/CTN: 20pcs
- G.W: 11.5kg
- Carton size: 52*37*28cm



Model: KW-276AR

- Voltage: 12-28VDC
- LED Type: 18pcs SMDs
- LED Color: 9Amber + 9Red
- Function: Stop / Tail / Indicator Lamp
- Package: Double Blister Card
- QTY/CTN: 20pcs
- G.W: 8kg
- Carton size: 52*28*28cm



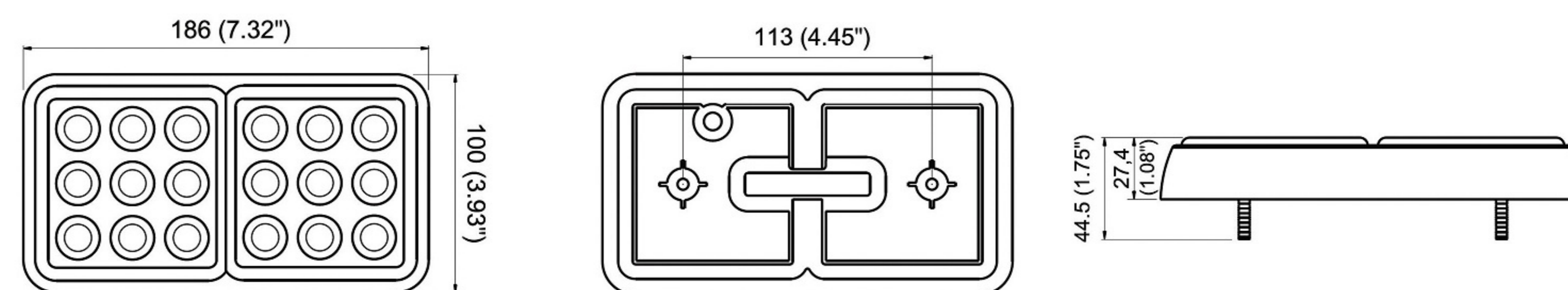
Model: KW-276RW

- Voltage: 12-28VDC
- LED Type: 18pcs SMDs
- LED Color: 9Red + 9White
- Function: Stop / Tail / Reverse Lamp
- Package: Double Blister Card
- QTY/CTN: 20pcs
- G.W: 8kg
- Carton size: 52*28*28cm



Model: KW-276AW

- Voltage: 12-28VDC
- LED Type: 18pcs SMDs
- Color: 9Amber + 9White
- Function: Reverse / Indicator Lamp
- Package: Double blister
- QTY/CTN: 20pcs
- G.W: 8kg
- Carton size: 52*28*28cm





Model: KW-279ARW

- Voltage: 12-28VDC
- LED Type: 21pcs SMDs
- LED Color: 6Amber + 9Red + 6White
- Function: Stop / Tail / Indicator / Reverse Lamp
- Package: Double Blister Card
- QTY/CTN: 20pcs
- G.W: 10.5kg
- Carton size: 52*35*28cm



Model: KW-279ARR

- Voltage: 12-28VDC
- LED Type: 21pcs SMDs
- LED Color: 6Amber + 9Red + 6Red
- Function: Stop / Tail / Indicator Lamp
- Package: Double Blister Card
- QTY/CTN: 20pcs
- G.W: 10.5kg
- Carton size: 52*35*28cm



Model: KW-279RRW

- Voltage: 12-28VDC
- LED Type: 21pcs SMDs
- LED Color: 6Red + 9Red + 6White
- Function: Stop / Tail / Reverse Lamp
- Package: Double Blister Card
- QTY/CTN: 20pcs
- G.W: 10.5kg
- Carton size: 52*35*28cm



Model: KW-278AR

- Voltage: 12-28VDC
- LED Type: 12pcs SMDs
- LED Color: 6Amber + 6Red
- Function: Stop / Tail / Indicator Lamp
- Package: Double Blister Card
- QTY/CTN: 20pcs
- G.W: 6kg
- Carton size: 44*30*33cm



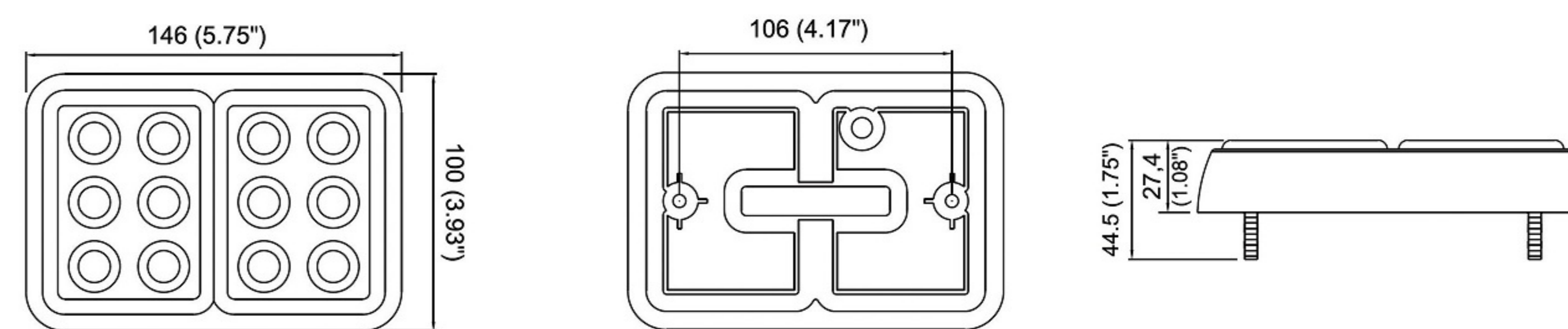
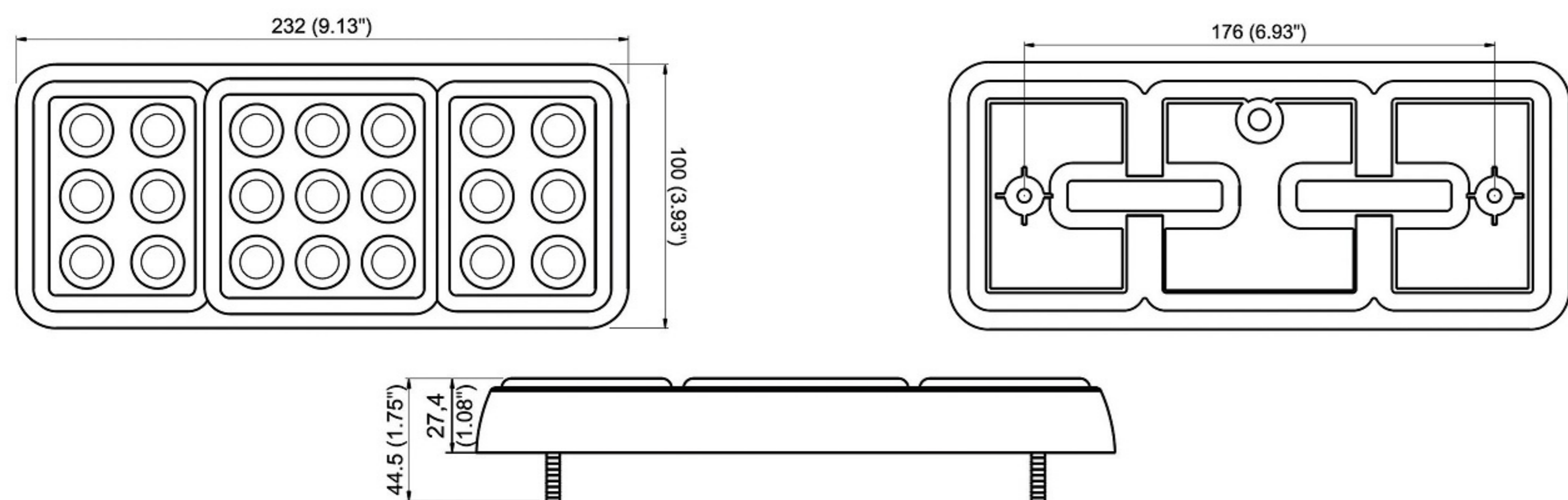
Model: KW-278RW

- Voltage: 12-28VDC
- LED Type: 12pcs SMDs
- LED Color: 6Red + 6White
- Function: Stop / Tail / Reverse Lamp
- Package: Double Blister Card
- QTY/CTN: 20pcs
- G.W: 6kg
- Carton size: 44*30*33cm



Model: KW-278AW

- Voltage: 12-28VDC
- LED Type: 12pcs SMDs
- Color: 6Amber + 6White
- Function: Reverse / Indicator Lamp
- Package: Double blister
- QTY/CTN: 20pcs
- G.W: 6kg
- Carton size: 44*30*33cm





Model: KW-272A

- Voltage: 12-28VDC
- LED Type: 16pcs SMDs
- LED Color: Amber
- Function: Rear Direction Indicator Lamp
- Package: Double Blister Card
- QTY/CTN: 40pcs
- G.W: 13.5kg
- Carton size: 47*36*42cm



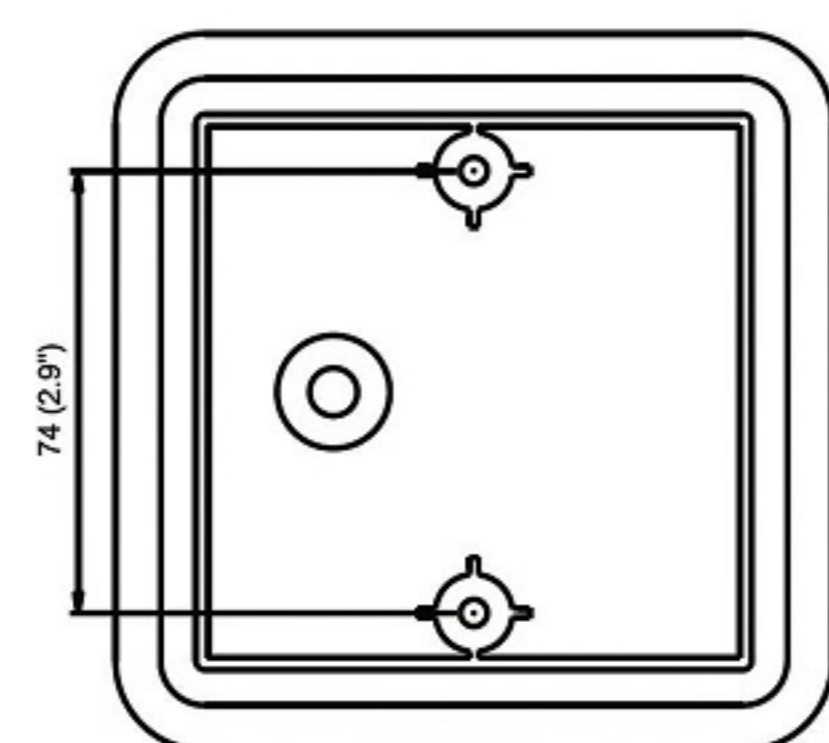
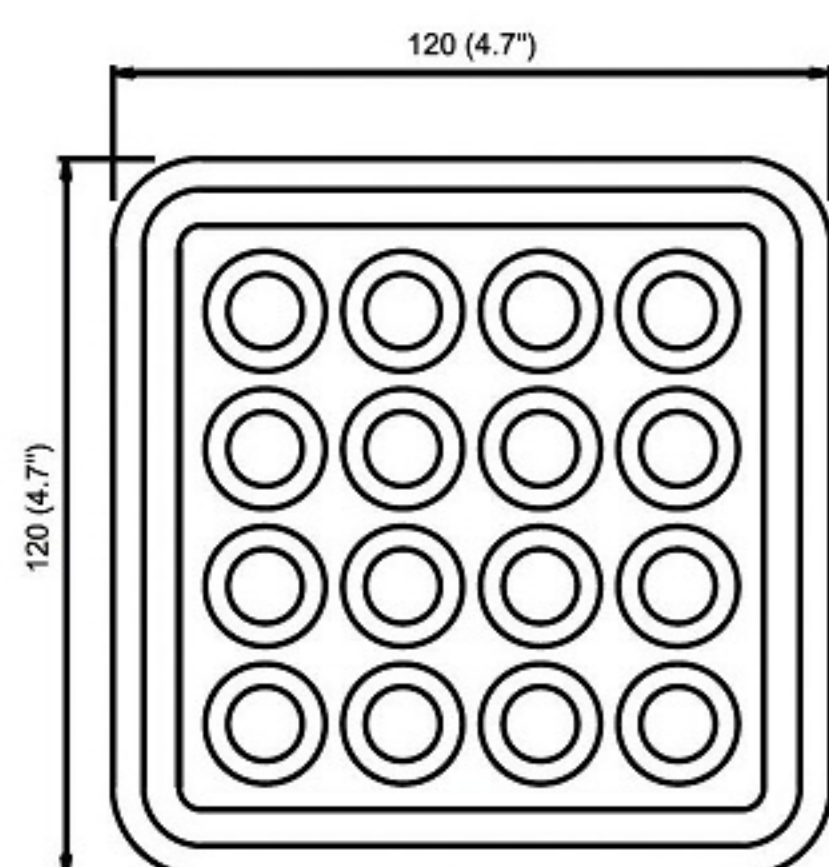
Model: KW-272R

- Voltage: 12-28VDC
- LED Type: 16pcs SMDs
- LED Color: Red
- Function: Stop / Tail Lamp
- Package: Double Blister Card
- QTY/CTN: 40pcs
- G.W: 13.5kg
- Carton size: 47*36*42cm



Model: KW-272W

- Voltage: 12-28VDC
- LED Type: 16pcs SMDs
- Color: White
- Function: Reverse Lamp
- Package: Double blister
- QTY/CTN: 40pcs
- G.W: 13.5kg
- Carton size: 47*36*42cm



Model: KW-273A

- Voltage: 12-28VDC
- LED Type: 9pcs SMDs
- LED Color: Amber
- Function: Rear Direction Indicator Lamp
- Package: Double Blister Card
- QTY/CTN: 40pcs
- G.W: 8kg
- Carton size: 52*29*34cm



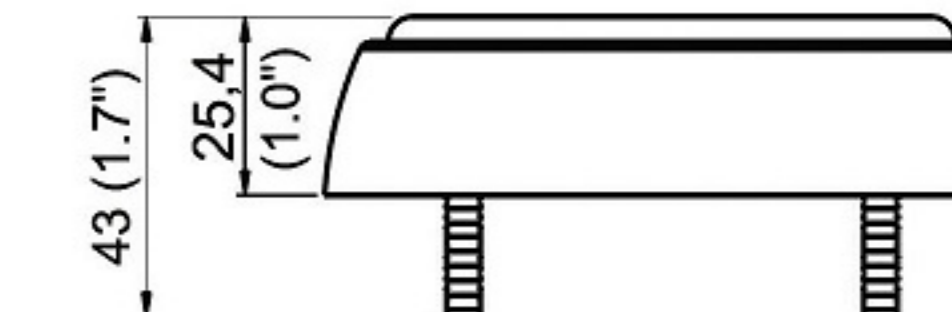
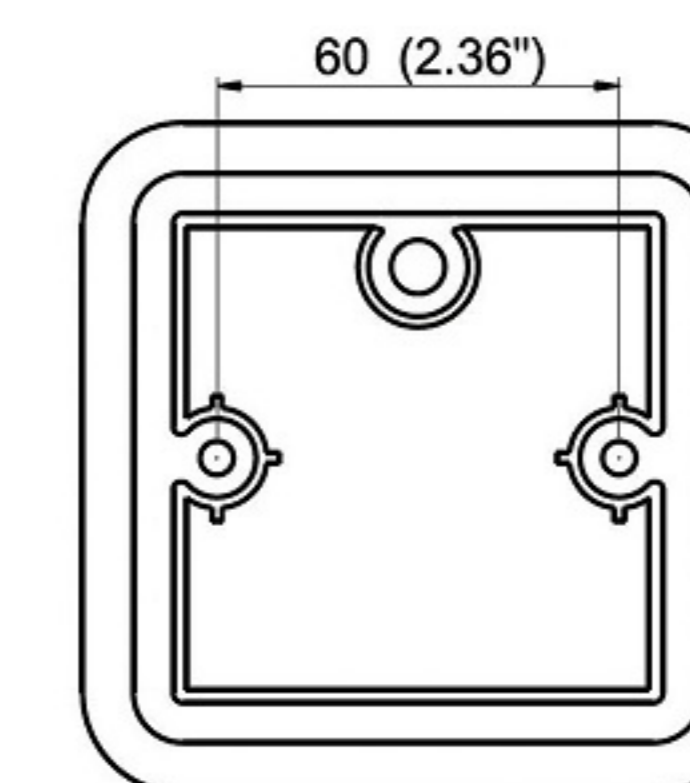
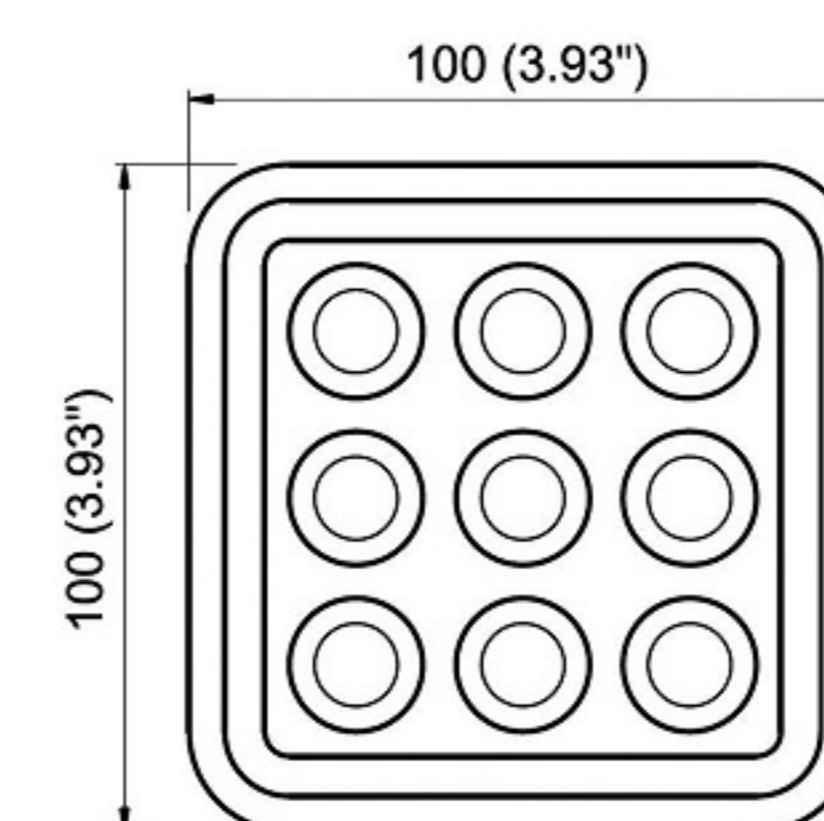
Model: KW-273R

- Voltage: 12-28VDC
- LED Type: 9pcs SMDs
- LED Color: Red
- Function: Stop / Tail Lamp
- Package: Double Blister Card
- QTY/CTN: 40pcs
- G.W: 8kg
- Carton size: 52*29*34cm



Model: KW-273W

- Voltage: 12-28VDC
- LED Type: 9pcs SMDs
- Color: White
- Function: Reverse Lamp
- Package: Double blister
- QTY/CTN: 40pcs
- G.W: 8kg
- Carton size: 52*29*34cm





Model: KW-274A

- Voltage: 12-28VDC
- LED Type: 6pcs SMDs
- LED Color: Amber
- Function: Rear Direction Indicator Lamp
- Package: Double Blister Card
- QTY/CTN: 40pcs
- G.W: 7kg
- Carton size: 52*28*28cm



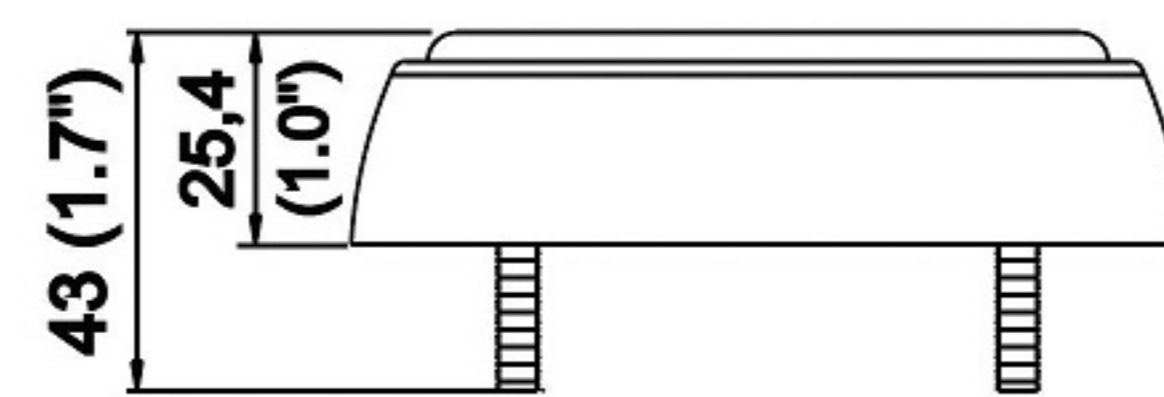
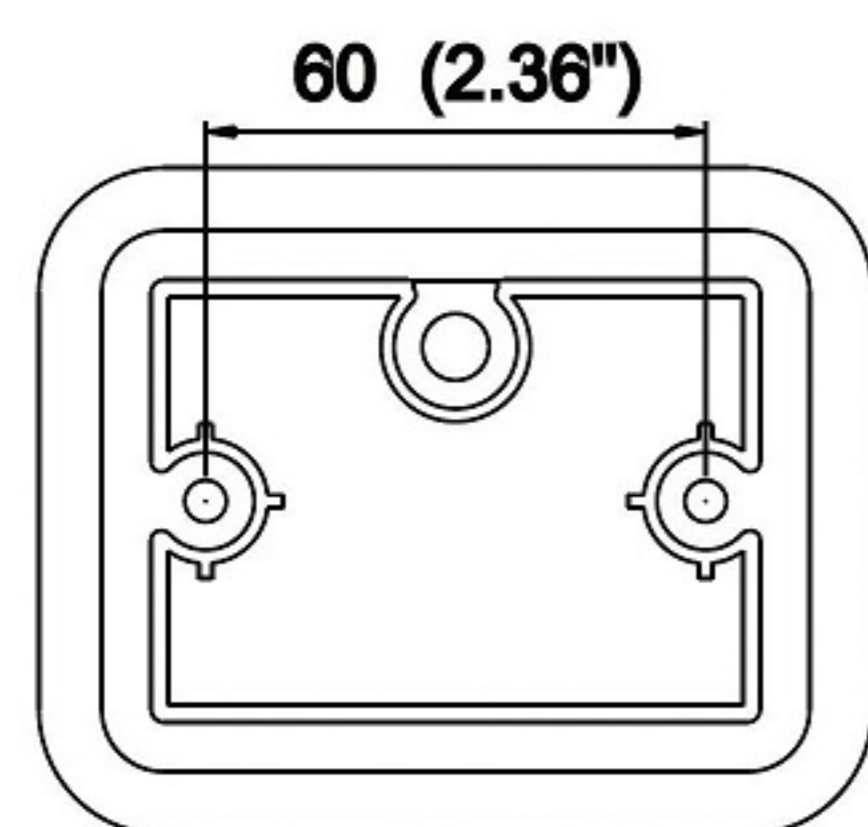
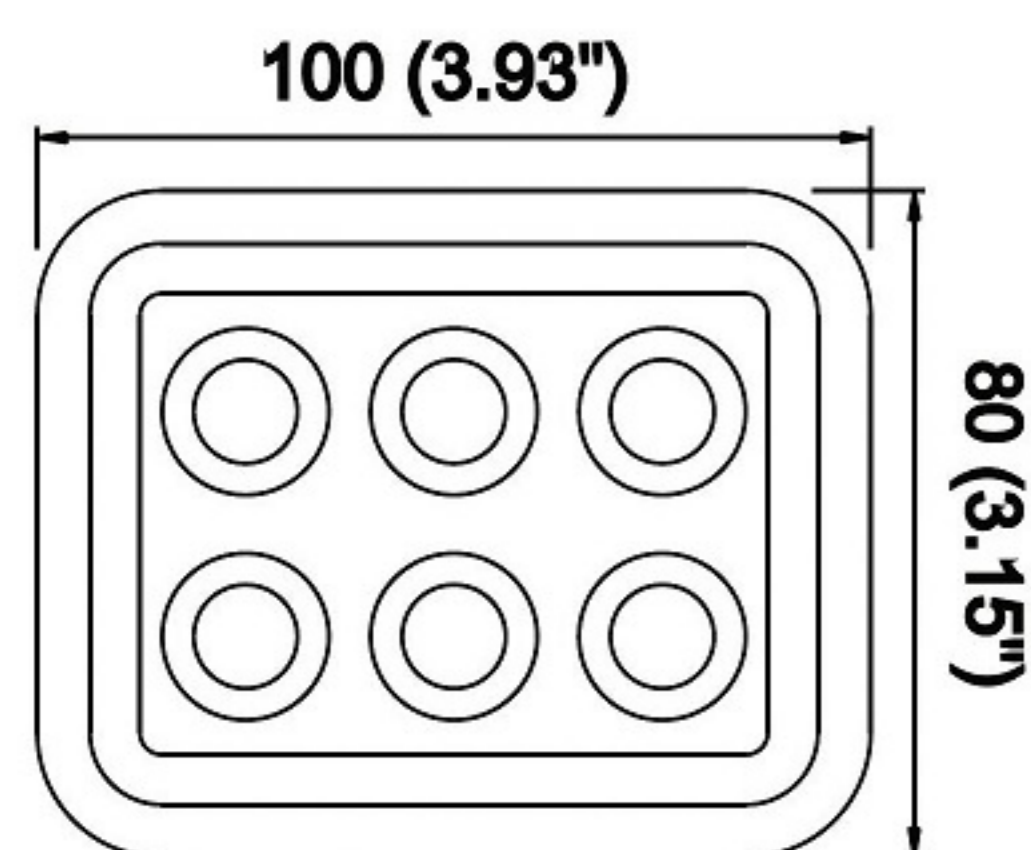
Model: KW-274R

- Voltage: 12-28VDC
- LED Type: 6pcs SMDs
- LED Color: Red
- Function: Stop / Tail Lamp
- Package: Double Blister Card
- QTY/CTN: 40pcs
- G.W: 7kg
- Carton size: 52*28*28cm



Model: KW-274W

- Voltage: 12-28VDC
- LED Type: 6pcs SMDs
- Color: White
- Function: Reverse Lamp
- Package: Double blister
- QTY/CTN: 40pcs
- G.W: 7kg
- Carton size: 52*28*28cm



Model: KW-282A

- Voltage: 12-28VDC
- LED Type: 8pcs SMDs
- LED Color: Amber
- Function: Rear Direction Indicator Lamp
- Package: Double Blister Card
- QTY/CTN: 40pcs
- G.W: 10kg
- Carton size: 47*36*42cm



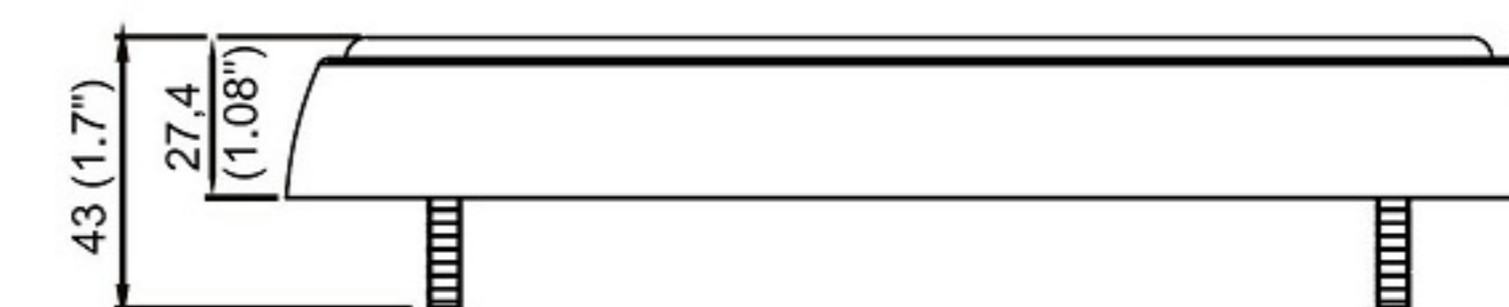
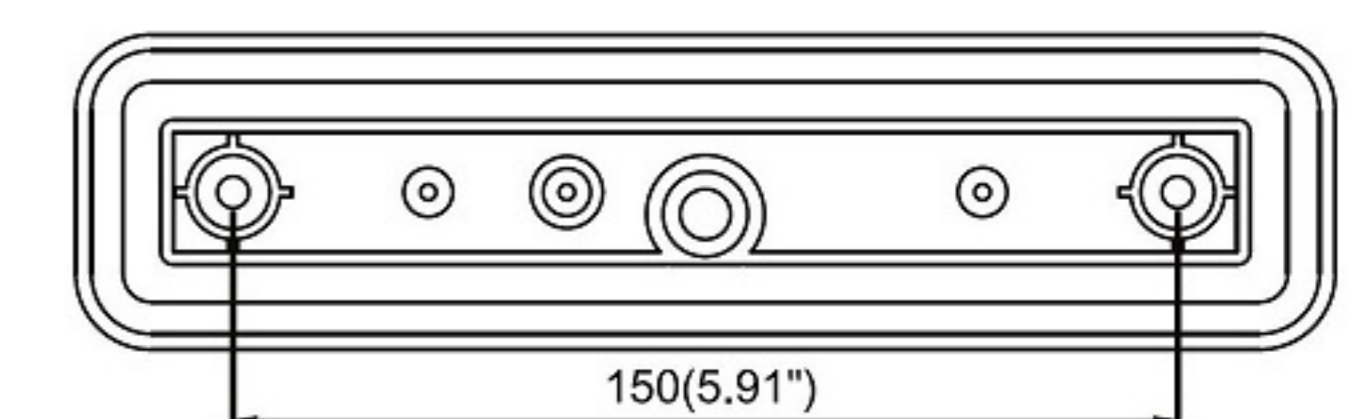
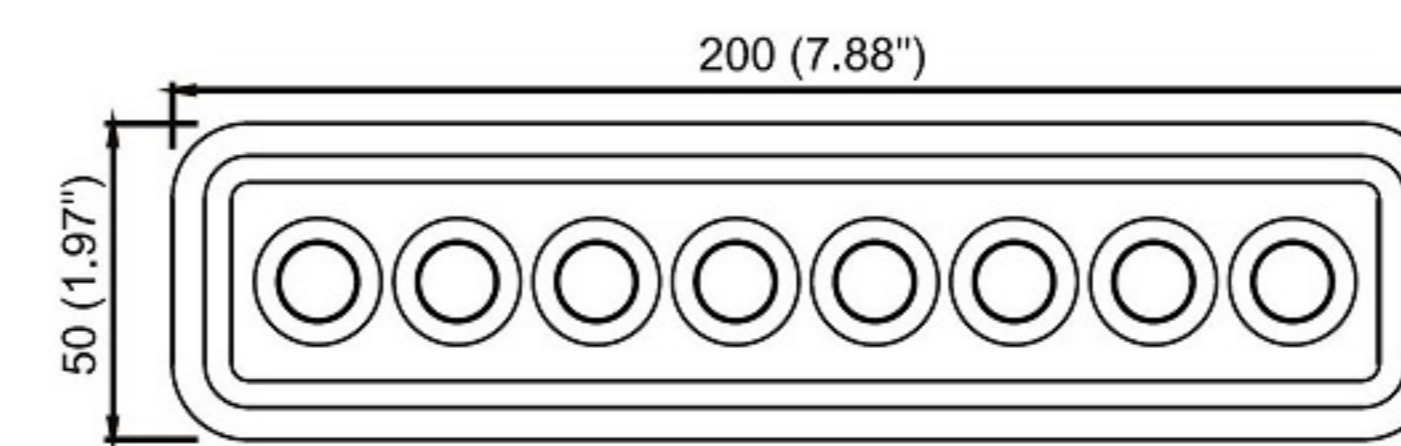
Model: KW-282R

- Voltage: 12-28VDC
- LED Type: 8pcs SMDs
- LED Color: Red
- Function: Stop / Tail Lamp
- Package: Double Blister Card
- QTY/CTN: 40pcs
- G.W: 10kg
- Carton size: 47*36*42cm



Model: KW-282W

- Voltage: 12-28VDC
- LED Type: 8pcs SMDs
- Color: White
- Function: Reverse Lamp
- Package: Double blister
- QTY/CTN: 40pcs
- G.W: 10kg
- Carton size: 47*36*42cm





Model: KW-203AR

- Voltage: 12-28VDC
- LED Type: 36pcs SMDs
- LED Color: 18Amber + 18Red
- Function: Stop / Tail / Indicator Lamp
- Package: Double Blister Card, 40PCS/CTN
- G.W: 9.5kg
- Carton size: 52*29*34cm



Model: KW-203A

- Voltage: 12-28VDC
- LED Type: 36pcs SMDs
- LED Color: Amber
- Function: Rear Direction Indicator Lamp
- Package: Double Blister Card, 40PCS/CTN
- G.W: 9.5kg
- Carton size: 52*29*34cm



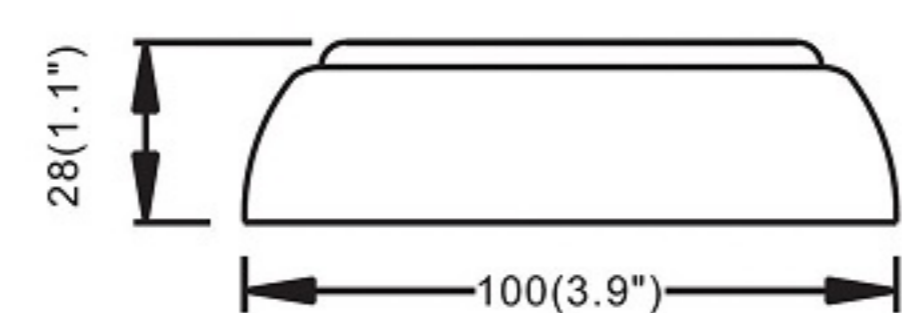
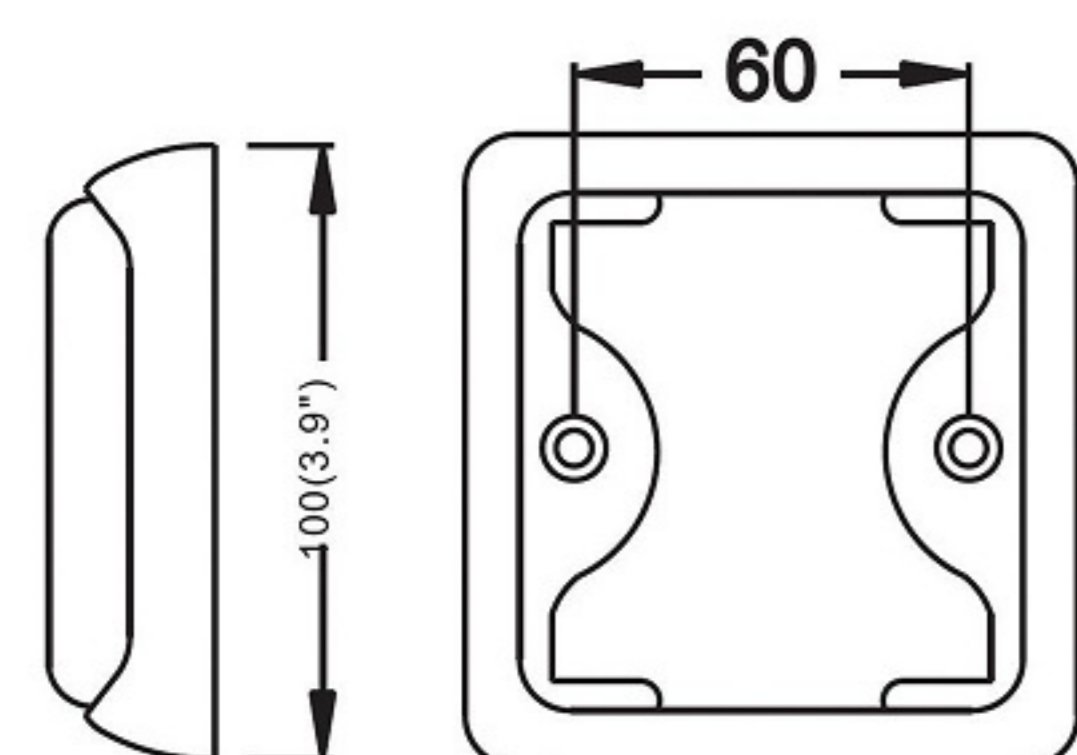
Model: KW-203R

- Voltage: 12-28VDC
- LED Type: 36pcs SMDs
- LED Color: Red
- Function: Stop / Tail Lamp
- Package: Double Blister Card, 40PCS/CTN
- G.W: 9.5kg
- Carton size: 52*29*34cm



Model: KW-203W

- Voltage: 12-28VDC
- LED Type: 36pcs SMDs
- LED Color: White
- Function: Reverse Lamp
- Package: Double Blister Card, 40PCS/CTN
- G.W: 9.5kg
- Carton size: 52*29*34cm



Model: KW-204AR

- Voltage: 12-28VDC
- LED Type: 36pcs SMDs
- LED Color: 18Amber + 18Red
- Function: Stop / Tail / Indicator Lamp
- Package: Double Blister Card, 40PCS/CTN
- G.W: 7kg
- Carton size: 44*32*33cm



Model: KW-204A

- Voltage: 12-28VDC
- LED Type: 36pcs SMDs
- LED Color: Amber
- Function: Rear Direction Indicator Lamp
- Package: Double Blister Card, 40PCS/CTN
- G.W: 7kg
- Carton size: 44*32*33cm



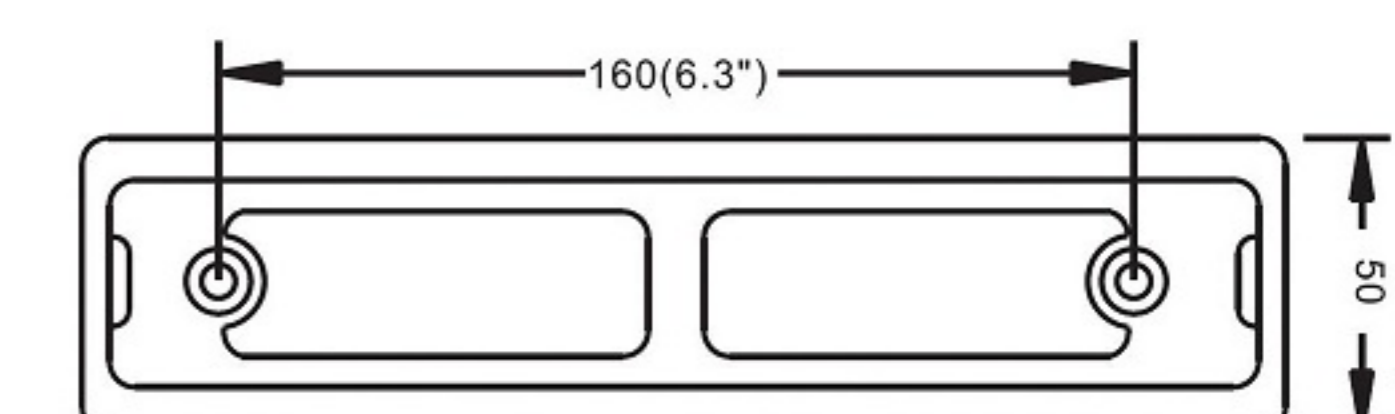
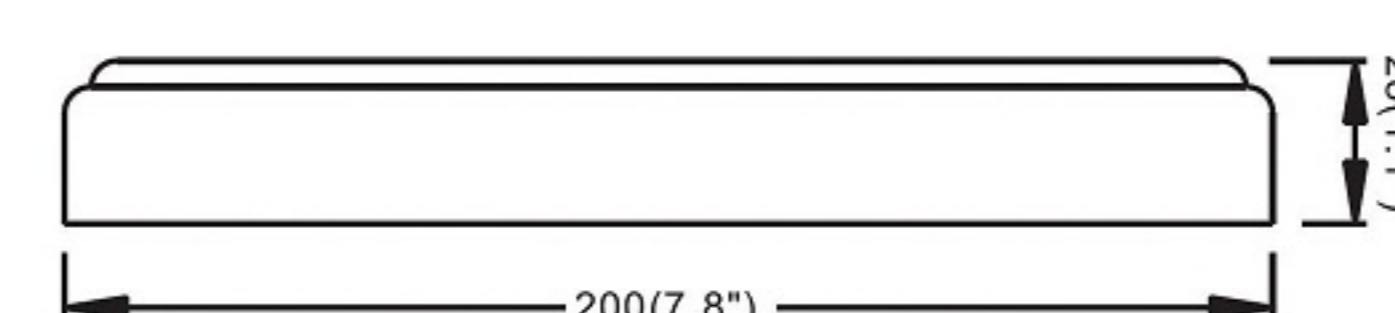
Model: KW-204R

- Voltage: 12-28VDC
- LED Type: 36pcs SMDs
- LED Color: Red
- Function: Stop / Tail Lamp
- Package: Double Blister Card, 40PCS/CTN
- G.W: 7kg
- Carton size: 44*32*33cm



Model: KW-204W

- Voltage: 12-28VDC
- LED Type: 36pcs SMDs
- LED Color: White
- Function: Reverse Lamp
- Package: Double Blister Card, 40PCS/CTN
- G.W: 7kg
- Carton size: 44*32*33cm





Model: KW-207AR

- Voltage: 12-28VDC
- LED Type: 72pcs SMDs
- LED Color: 36Amber + 36Red
- Function: Stop / Tail / Indicator Lamp
- Package: Double Blister Card, 20PCS/CTN
- G.W: 8kg
- Carton size: 47*30*25cm



Model: KW-207AA

- Voltage: 12-28VDC
- LED Type: 72pcs SMDs
- LED Color: Amber
- Function: Rear Direction Indicator Lamp
- Package: Double Blister Card, 20PCS/CTN
- G.W: 8kg
- Carton size: 47*30*25cm



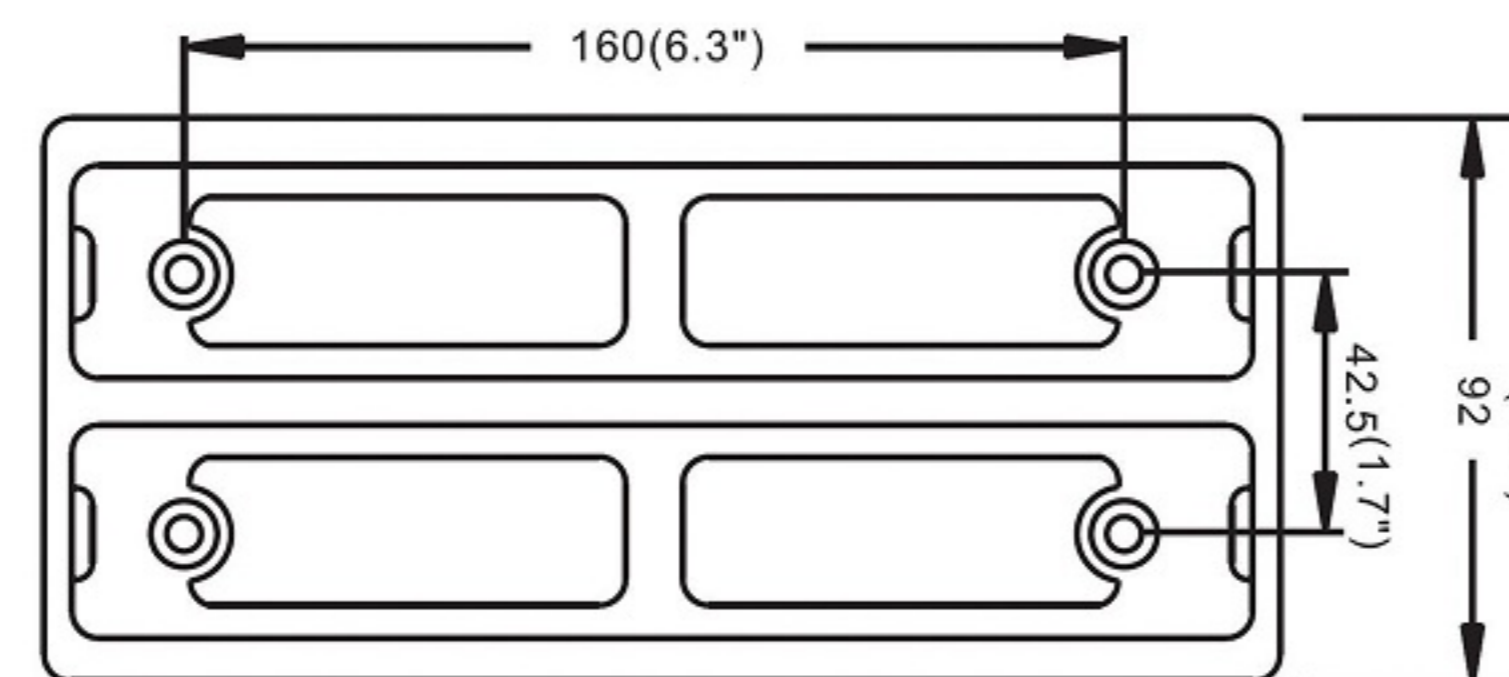
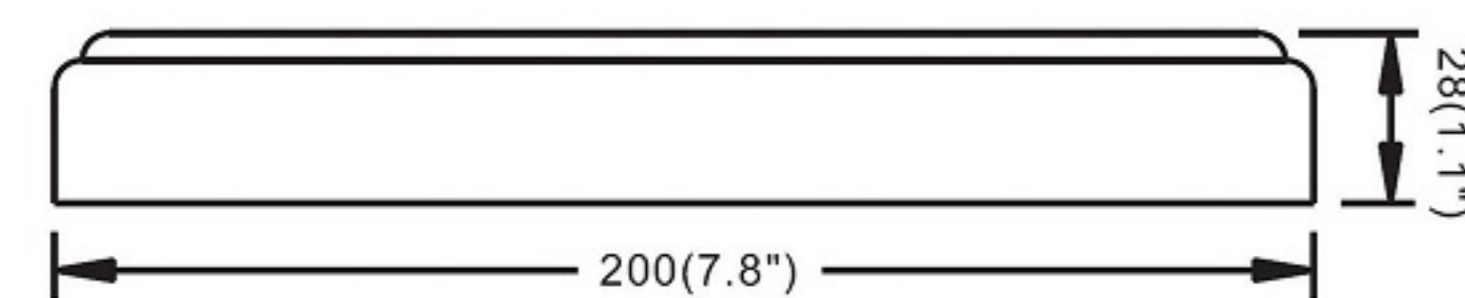
Model: KW-207RR

- Voltage: 12-28VDC
- LED Type: 72pcs SMDs
- LED Color: Red
- Function: Stop / Tail Lamp
- Package: Double Blister Card, 20PCS/CTN
- G.W: 8kg
- Carton size: 47*30*25cm



Model: KW-207RW

- Voltage: 12-28VDC
- LED Type: 72pcs SMDs
- LED Color: 36Red + 36White
- Function: Stop / Tail / Reverse Lamp
- Package: Double Blister Card, 20PCS/CTN
- G.W: 8kg
- Carton size: 47*30*25cm



Model: KW-210ARW

- Voltage: 12-28VDC
- LED Type: 108pcs SMDs
- LED Color: 36Amber + 36Red + 36White
- Function: Stop / Tail / Indicator / Reverse Lamp
- Package: Double Blister Card, 20PCS/CTN
- G.W: 9.5kg
- Carton size: 48*38*24cm



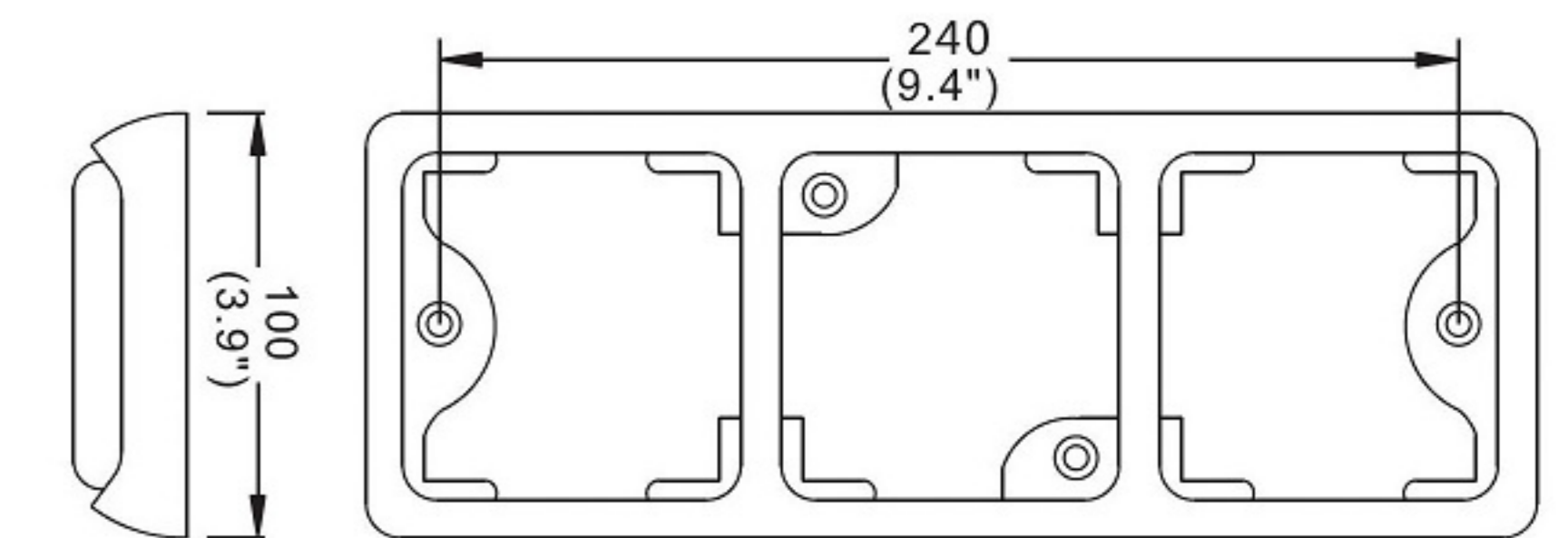
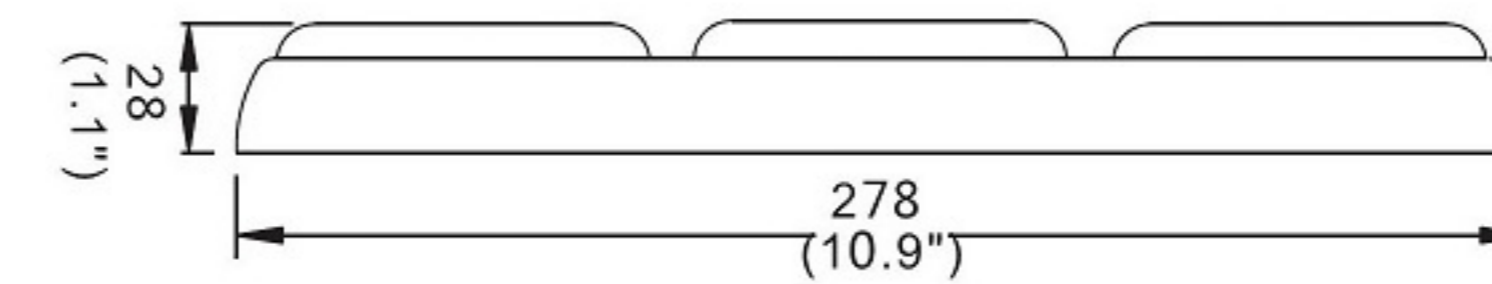
Model: KW-210ARR

- Voltage: 12-28VDC
- LED Type: 108pcs SMDs
- LED Color: 36Amber + 36Red + 36Red
- Function: Stop / Tail / Indicator Lamp
- Package: Double Blister Card, 20PCS/CTN
- G.W: 9.5kg
- Carton size: 48*38*24cm



Model: KW-210RRW

- Voltage: 12-28VDC
- LED Type: 108pcs SMDs
- LED Color: 36Red + 36Red + 36White
- Function: Stop / Tail / Reverse Lamp
- Package: Double Blister Card, 20PCS/CTN
- G.W: 9.5kg
- Carton size: 48*38*24cm





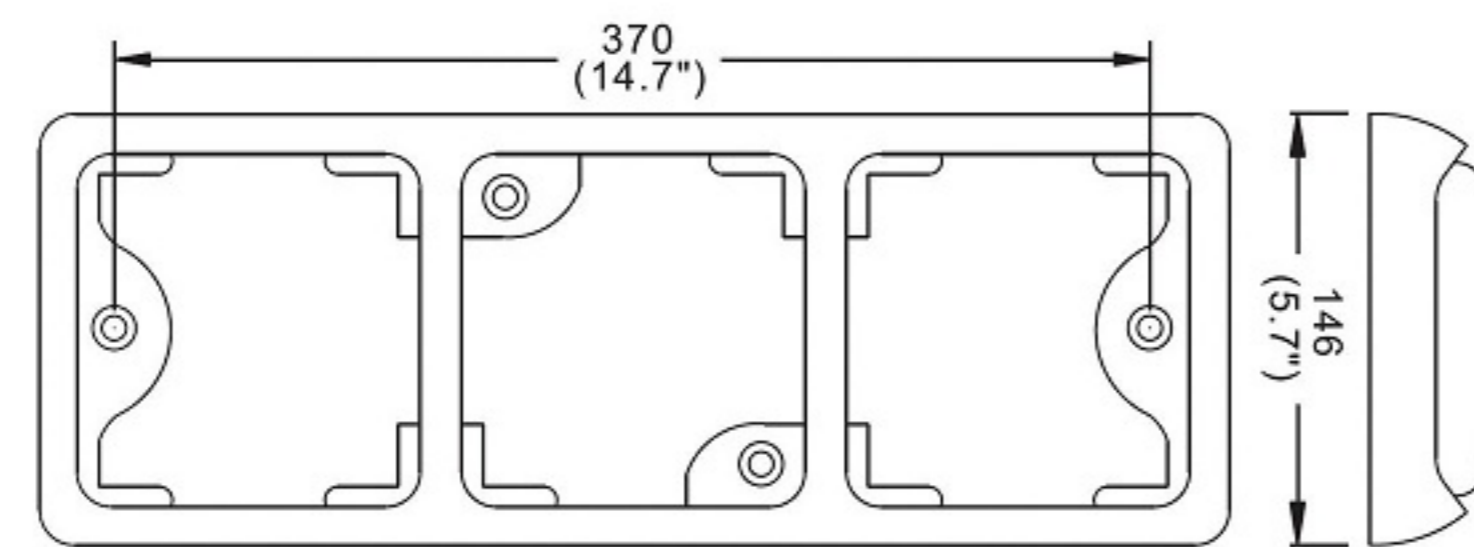
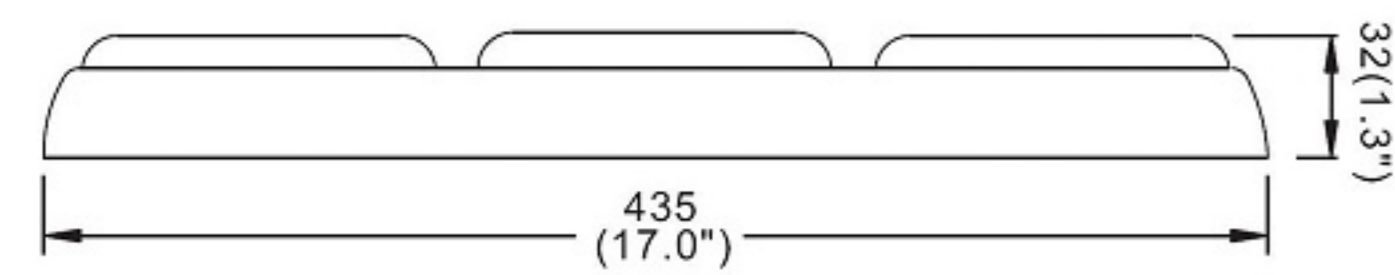
Model: KW-209ARW

- Voltage: 12-28VDC
- LED Type: 164pcs SMDs
- LED Color: 64Amber + 64Red + 36White
- Function: Stop / Tail / Indicator / Reverse Lamp
- Package: Double Blister Card, 10PCS/CTN
- G.W: 9.5kg
- Carton size: 54*39*20cm



Model: KW-209ARR

- Voltage: 12-28VDC
- LED Type: 192pcs SMDs
- LED Color: 64Amber + 64Red + 64Red
- Function: Stop / Tail / Indicator Lamp
- Package: Double Blister Card, 10PCS/CTN
- G.W: 9.5kg
- Carton size: 54*39*20cm



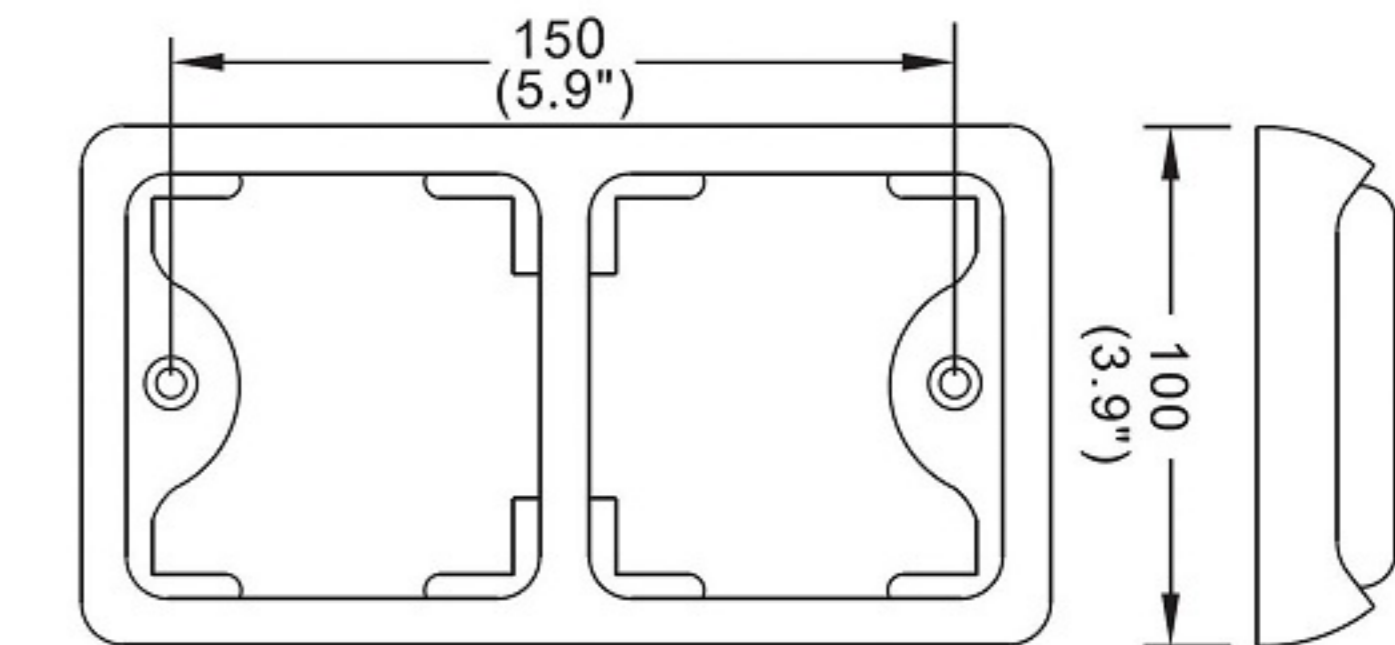
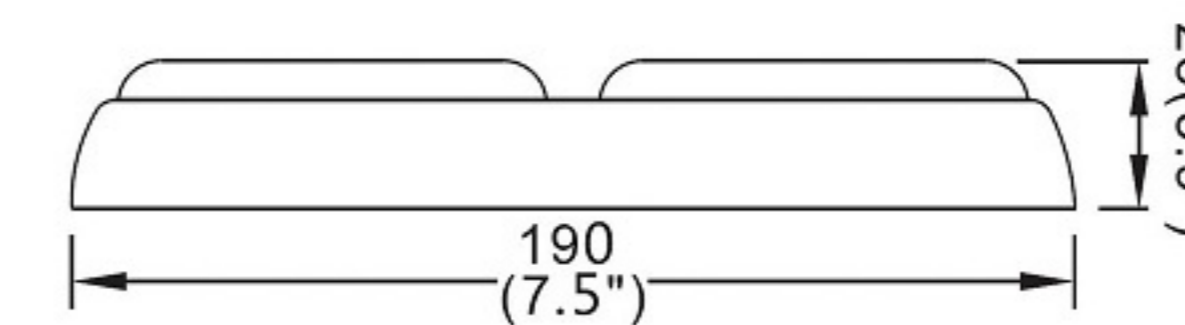
Model: KW-202AR

- Voltage: 12-28VDC
- LED Type: 72pcs SMDs
- LED Color: 36Amber + 36Red
- Function: Stop / Tail / Indicator Lamp
- Package: Double Blister Card, 20PCS/CTN
- G.W: 7kg
- Carton size: 44*32*33cm



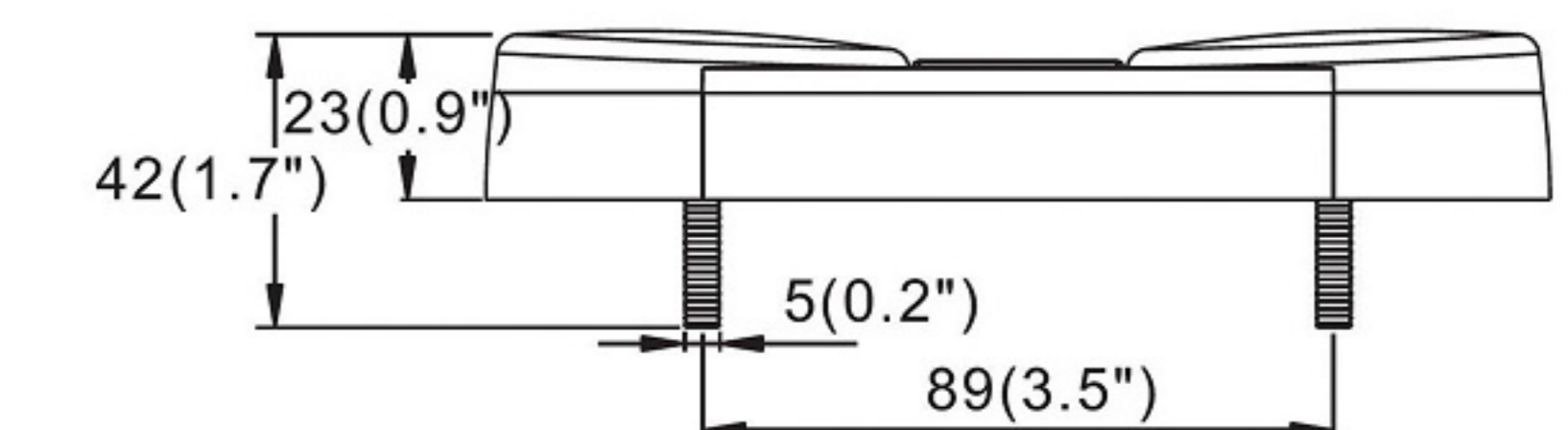
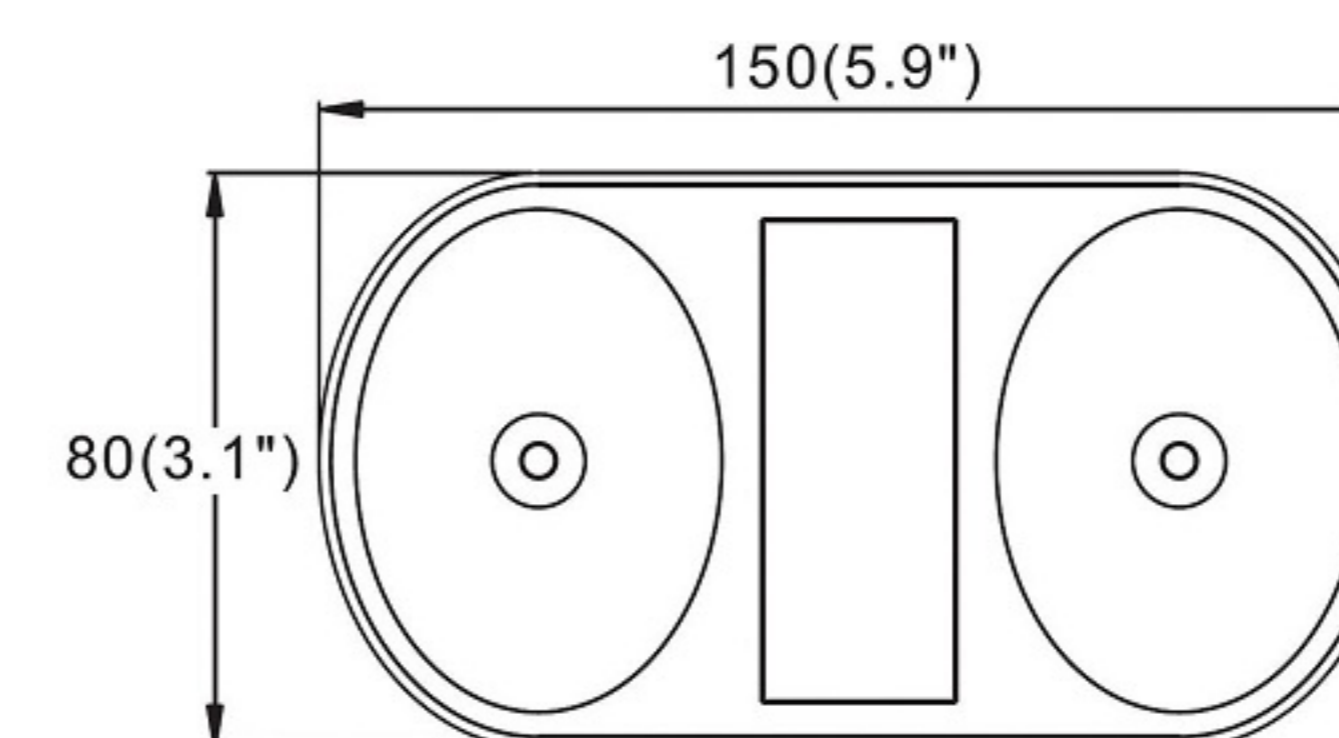
Model: KW-202RW

- Voltage: 12-28VDC
- LED Type: 72pcs SMDs
- LED Color: 36Red + 36White
- Function: Stop / Tail / Reverse Lamp
- Package: Double Blister Card, 20PCS/CTN
- G.W: 7kg
- Carton size: 44*32*33cm



Model: KW-259AR

- Voltage: 12VDC
- LED Type: 24pcs LEDs
- LED Color: 12Amber + 12Red
- Function: Stop / Tail / Indicator Lamp
- Package: Double Blister Card, 20PCS/CTN
- G.W: 5kg
- Carton size: 44*32*33cm





Model: KW-214A

- Voltage: 12-28VDC
- LED Type: 18pcs SMDs
- LED Color: Amber
- Function: Indicator Lamp
- Package: Double Blister Card, 40PCS/CTN
- G.W: 10kg
- Carton size: 52*29*34cm



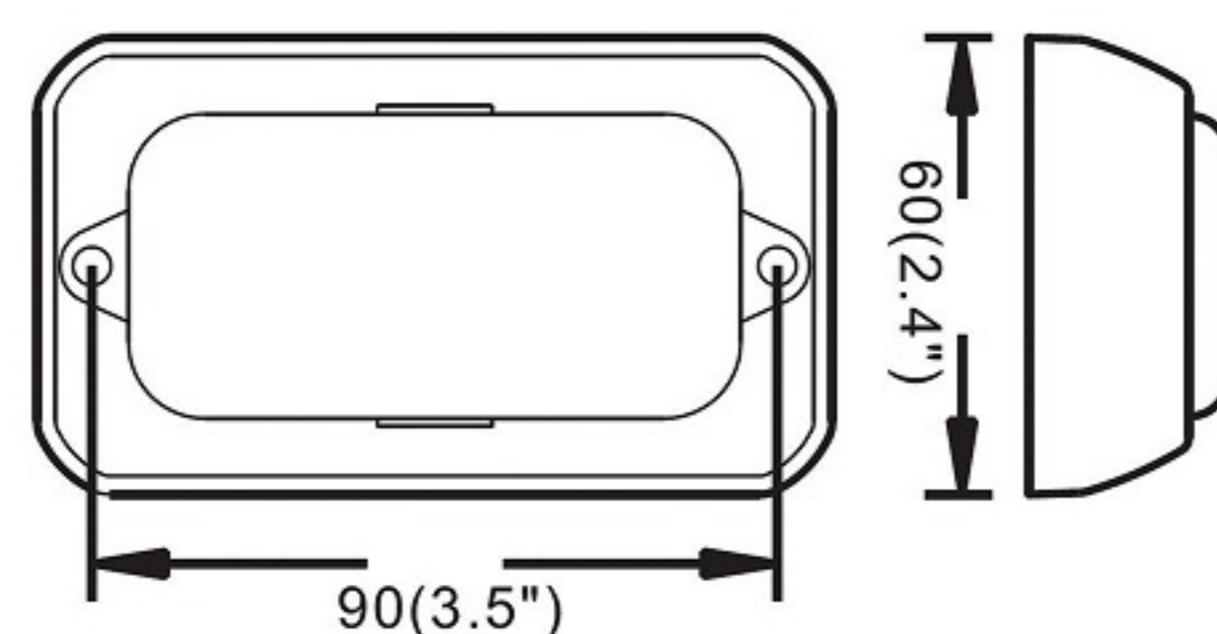
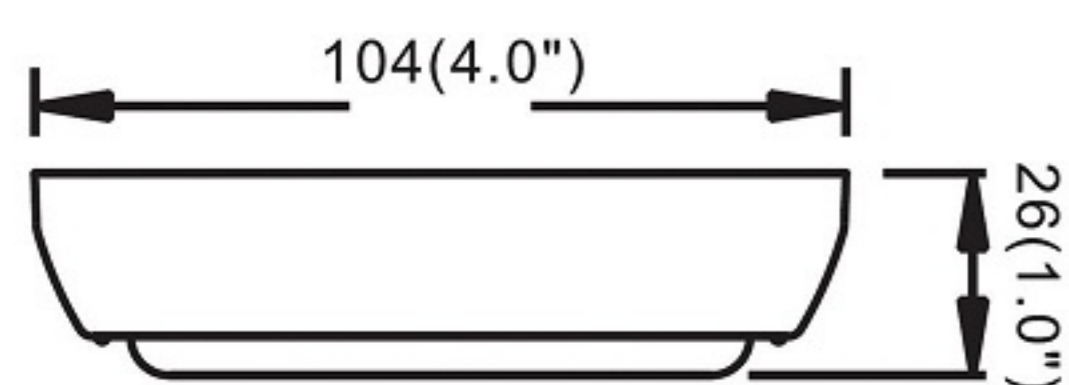
Model: KW-214R

- Voltage: 12-28VDC
- LED Type: 18pcs SMDs
- LED Color: Red
- Function: Stop / Tail Lamp
- Package: Double Blister Card, 40PCS/CTN
- G.W: 10kg
- Carton size: 52*29*34cm



Model: KW-214W

- Voltage: 12-28VDC
- LED Type: 18pcs SMDs
- LED Color: White
- Function: Reverse Lamp
- Package: Double Blister Card, 40PCS/CTN
- G.W: 10kg
- Carton size: 52*29*34cm



Model: KW-205AR

- Voltage: 12-28VDC
- LED Type: 4pcs SMDs
- LED Color: 2 Amber + 2 Red
- Function: Side Marker Lamp
- Package: Double Blister Card, 100PCS/CTN
- G.W: 11kg
- Carton size: 62*28*36cm



Model: KW-205A

- Voltage: 12-28VDC
- LED Type: 4pcs SMDs
- LED Color: Amber
- Function: Side Direction Indicator Marker Lamp
- Package: Double Blister Card, 100PCS/CTN
- G.W: 11kg
- Carton size: 62*28*36cm



Model: KW-205R

- Voltage: 12-28VDC
- LED Type: 4pcs SMDs
- LED Color: Red
- Function: Rear Position Marker Lamp
- Package: Double Blister Card, 100PCS/CTN
- G.W: 11kg
- Carton size: 62*28*36cm



Model: KW-205W

- Voltage: 12-28VDC
- LED Type: 4pcs SMDs
- LED Color: White
- Function: Front Outline Position Marker Lamp
- Package: Double Blister Card, 100PCS/CTN
- G.W: 11kg
- Carton size: 62*28*36cm

